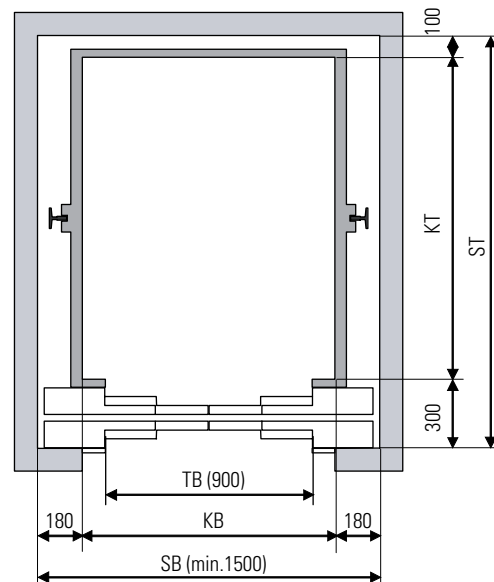


SHAFT LAYOUT

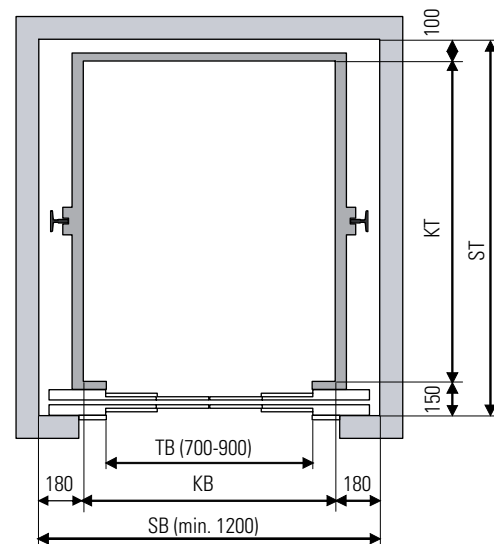
SLC Type LOGOS 4CT

LOGOS 4CT	Dimensions
Weight (2:1)	P+Q = 1,750 kg
Door width TB	900 mm
Shaft width SB	min. 1.5 x TB + 150 mm
Shaft depth ST	KT + 400 mm
Car width inside KB	SB - 360 mm glass: SB - 400 mm
Car depth inside KT	max. ST - 400 mm
Effective area of car	variable



Option 1: Wittur Type Finline 4CT

Wittur Finline 4CT	Dimensions
Weight (2:1)	P+Q = 1,750 kg
Door width TB	700 - 900 mm
Shaft width SB	min. 1.5 x TB + 150 mm
Shaft depth ST	KT + 250 mm
Car width inside KB	SB - 360 mm glass: SB - 400 mm
Car depth inside KT	max. ST - 250 mm
Effective area of car	variable



Option 2: Meiller Type TTK28 4CT

Meiller 4CT	Dimensions
Weight (2:1)	P+Q = 1,750 kg
Door width TB	700 - 900 mm
Shaft width SB	min. 1.5 x TB + 150 mm
Shaft depth ST	KT + 416 mm
Car width inside KB	SB - 360 mm glass: SB - 400 mm
Car depth inside KT	max. ST - 416 mm
Effective area of car	variable

