

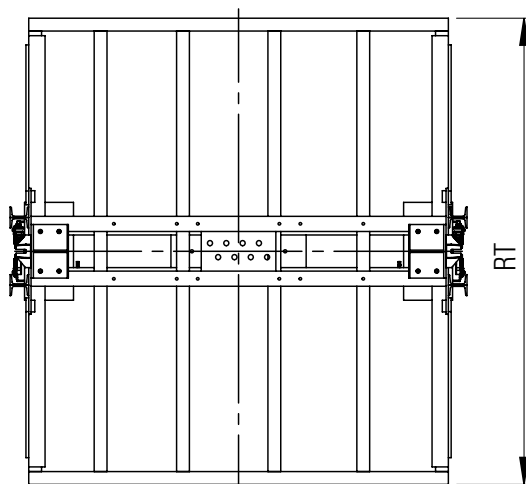
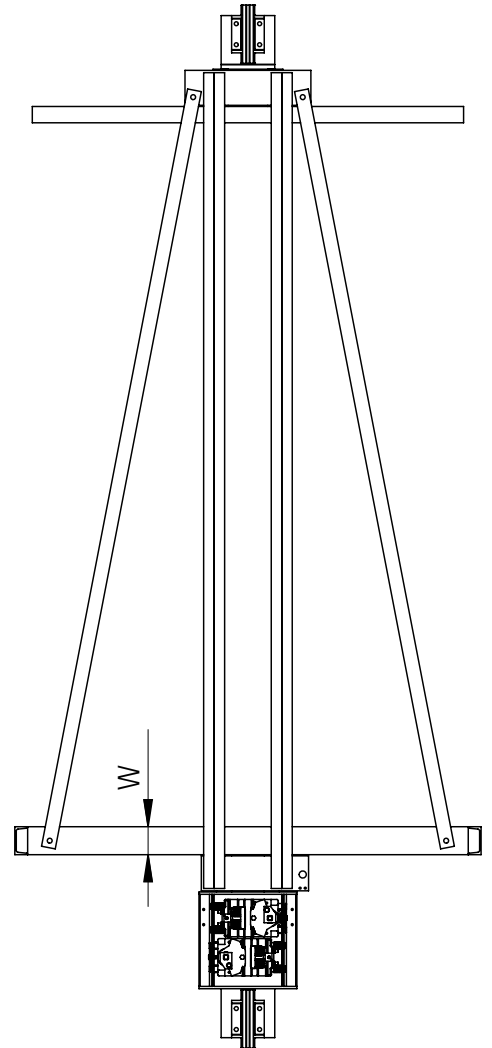
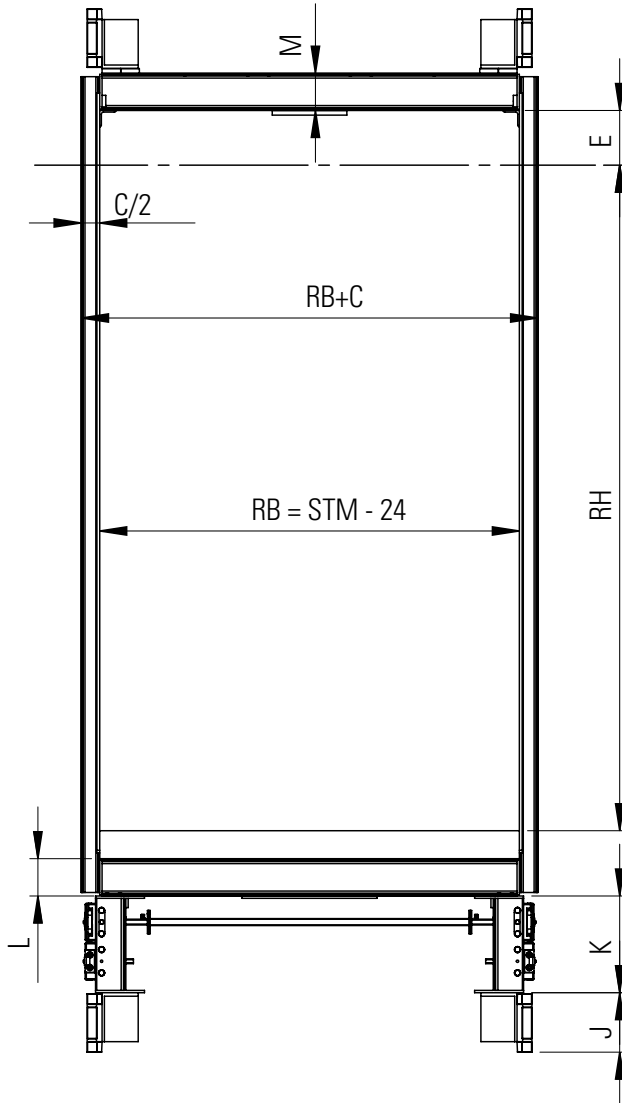
DIMENSIONS



CF hrp with BF, sliding guide shoes

CF hrp  
SUSPENSION 1:1

TYPE	RH	RB	RT	C/2	E	L	M	W
CF hrp2500	max. 3.200	max. 2.600	max. 4.000	60	Goods Lift: 300	max. 140	180	max. 140
CF hrp4000	max. 5.000	max. 3.000	max. 5.000	80		max. 160	260	max. 200
CF hrp6300	max. 4.000	max. 3.060	max. 6.000	80	Passenger Lift: 500	max. 200	300	max. 200
CF hrp10000	max. 4.500	max. 3.260	max. 7.000	100		max. 220	300	max. 200



STM	DBG - Distance between guides
RH	Overall height of car
RB	Overall width of car
RB+C	Frame outside
RT	Depth of frame

K	Installation height safety gear
230	BF standard
415	BF tandem
560	BF triple

J	Height of guidance
193	RFP 125
275	RFL 200
140	FS 140
150	FS 150
190	FS 190
250	FS 250